



Mouldings | Stair Parts | Boards | Exterior Millwork



The mark of
responsible forestry



2015 Midwest Edition

COMBINE AND DESIGN



Built-Up Mouldings



7163 BASE
L 45 CROWN



1X6 BOARD
93 COVE
956W BACKER BEAD
L 300 CHAIR RAIL



185 PANEL MOULD



L P815 BASE
L P813 BASE
L 210 SHINGLE MOULD

Table of Contents

BOARDS & SHEETS3	BASE	CEILING
WINDOW & DOOR	Base12-19	Cove22
Casing4-8	Base Cap12	Bed Mould22
Mullions9	CHAIR & WALL	Crown22-27
Stops9	Chair Rail20	GENERAL PURPOSE28-29
Brick Mould10	Backer Bead20	RAIL29
Shingle Mould10	Panel Mould21	PVC
Stool10	Wainscoting Cap21	MOULDING / BOARDS / SHEETS30-31
Pre-Mitered Casings11	Ply Cap21	BLOCKS32-33
Jamb / Frames11	Wainscoting21	INDEX34
		EMPIRE PRODUCT LINES35

SOFTWOOD | MDF

L 248 (1X2)	11/16 x 1-3/4	CLEAR PINE 8' 16' RL PRIMED 16'
L 246 (1X3)	11/16 x 2-3/4 11/16 x 2-3/4	CLEAR PINE 8' 10' RL PRIMED 16'
1X4	3/4 x 3-1/2	CLEAR PINE 6' 8' 10' 12' 14' 16' RL PRIMED 16'
	23/32 x 3-1/2	MDF 8' 16'
	11/16 x 3-1/2	MDF 8' 16'
1X6	3/4 x 5-1/2	CLEAR PINE 6' 8' 10' 12' 14' 16' RL PRIMED 16'
	23/32 x 5-1/2	MDF 8' 16'
	11/16 x 5-1/2	MDF 8' 16'
1X8	3/4 x 7-1/4	CLEAR PINE 6' 8' 10' 12' 14' 16' RL PRIMED 16'
	23/32 x 7-1/4	MDF 8' 16'
	11/16 x 7-1/4	MDF 8' 16'
1X10	3/4 x 9-1/4	CLEAR PINE 6' 8' 10' 12' 14' 16' RL PRIMED 16'
	23/32 x 9-1/4	MDF 8' 16'
	11/16 x 9-1/4	MDF 8' 16'
1X12	3/4 x 11-1/4	CLEAR PINE 6' 8' 10' 12' 14' 16' RL PRIMED 16'
	23/32 x 11-1/4	MDF 8' 16'
	11/16 x 11-1/4	MDF 8' 16'
5/4X4	25mm (1) x 3-1/2	MDF 16'
5/4X6	25mm (1) x 5-1/2	MDF 16'
5/4X8	25mm (1) x 7-1/4	MDF 16'
5/4X12	25mm (1) x 11-1/4	MDF 16'
EASED EDGE BOARDS		
L 250E	1/16 x 1-1/2	MDF 8' 10'
E1X3	11/16 x 2-1/2	MDF 8'
E1X4	11/16 x 3-1/2	MDF 8' 10' 16'
E1X6	11/16 x 5-1/2	MDF 8' 16'
E1X8	11/16 x 7-1/4	MDF 8' 16'

HARDWOOD

248 (1X2)	3/4 x 1-3/4	OAK 4' 6' 8' 10' RL POPLAR 4' 6' 8' 10' 12' RL
246 (1X3)	3/4 x 2-3/4	OAK 4' 6' 8' POPLAR 4' 6' 8' 10' RL POPLAR, OAK 4' 6' 8' 10' 12' 14' 16' RL PRIMED FJ POPLAR 16'
1X4	3/4 x 3-1/2	MAPLE 6' 8' RL POPLAR, OAK 4' 6' 8' 10' 12' 14' 16' RL PRIMED FJ POPLAR 16'
1X6	3/4 x 5-1/2	MAPLE 6' 8' RL POPLAR, OAK 4' 6' 8' 10' 12' 14' 16' RL PRIMED FJ POPLAR 16'
1X8	3/4 x 7-1/4	MAPLE 6' 8' RL POPLAR, OAK 4' 6' 8' 10' 12' 14' 16' RL PRIMED FJ POPLAR 16'
1X10	3/4 x 9-1/4	MAPLE 6' 8' RL POPLAR, OAK 4' 6' 8' 10' 12' 14' 16' RL OAK VENEER 16'
1X12	3/4 x 11-1/4	MAPLE 4' 6' 8' RL MAPLE VENEER 16'
		POPLAR 4' 6' 8' 10' 12' 14' 16' RL FJ POPLAR, PRIMED FJ POPLAR 16'
		OAK 6' 8' 10' 12' 14' RL
SKIRTBOARDS		
1X12	3/4 x 11-1/4	OAK VENEER, MAPLE VENEER 16' 18' POPLAR VENEER 18'
5/4X4	1-1/16 x 3-1/2	PRIMED RL
5/4X6	1-1/16 x 5-1/4 1-1/16 x 5-1/2	POPLAR RL PRIMED RL
5/4X8	1-1/16 x 7-1/4	POPLAR RL PRIMED RL
5/4X10	1-1/16 x 9-1/4	PRIMED RL
5/4X12	1-1/16 x 11-1/4	POPLAR RL PRIMED RL

PVC

TRIM BOARD - EMBOSSED / SMOOTH			
1X2	3/4 x 1-1/2	7832	PVC 8' 12'
1X3	3/4 x 2-1/2	7833	PVC 8'
1X4	3/4 x 3-1/2	7834	PVC 8' 12' 18'
1X6	3/4 x 5-1/2	7835	PVC 8' 12' 18'
1X8	3/4 x 7-1/4	7836	PVC 8' 12' 18'
1X10	3/4 x 9-1/4	7837	PVC 8' 12' 18'
1X12	3/4 x 11-1/4	7838	PVC 18'
5/4X4	1 x 3-1/2	7840	PVC 10' 18' 20'
5/4X6	1 x 5-1/2	7841	PVC 10' 18' 20'
5/4X8	1 x 7-1/4	7842	PVC 18'
5/4X10	1 x 9-1/4	7843	PVC 18'
5/4X12	1 x 11-1/4	7844	PVC 18'
TRIM PLANK - SMOOTH			
1X4	3/4 x 3-1/2	7318	PVC 8'
1X6	3/4 x 5-1/2	7311	PVC 8'

SHEETS

LITE MDF UNPRIMED SHEETS
L 344 18mm thick x 49" wide x 97" long
Unprimed MDF
*Sold in unit quantities only:
22 sheets per unit**

* Unit quantities subject to change

PVC SHEETS - SMOOTH OR EMBOSSED
4' x 8' PVC Sheets

Available in thicknesses:
3/8" | 1/2" | 3/4" | 1"

Reversible Finish
Embossed / Smooth

E 2878	3/8"	PVC
E 2871	1/2"	PVC
E 2837	3/4"	PVC
E 2864	1"	PVC



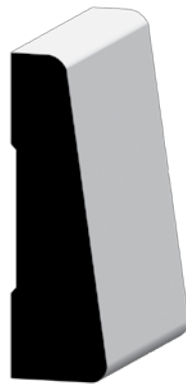


Pg. 11
Pre-Mitered
Casing Set
Available

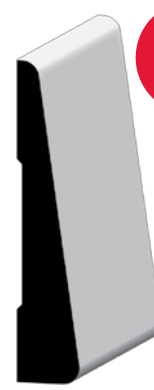
316
11/16 x 2-1/4
PINE 7' | 8' | 10' |
12' | 14'
PRIMED 7' | 10' | 14'
5/8 x 2-1/4
OAK 7' | 8' | 10' | RL



321
11/16 x 2-1/4
PINE 7' | 10' | RL



324
11/16 x 2-1/4
PINE 7' | 10' | 14' | RL



L 324
1/2 x 2-1/4
OAK 7' | 10' | RL



Pg. 11
Pre-Mitered
Casing Set
Available

327
11/16 x 2-1/4
PINE 7' | 8' | 10' | 14' | RL
PRIMED 7' | 10' | 14'



Pg. 11
Pre-Mitered
Casing Set
Available

356
11/16 x 2-1/4
PINE 7' | 8' | 10' | 12' | 14' | RL
PRIMED 7' | 10' | 14'
CLAY COAT 7' | 14'
19/32 x 2-1/4
MDF 14'
5/8 x 2-1/4
OAK 7' | 8' | 10' | 12' | RL
POPLAR 7' | 12' | RL



356C
11/16 x 2-1/4
CLAY COAT 7'1" | 15'



Pg. 11
Pre-Mitered
Casing Set
Available

L 356
1/2 x 2-1/4
OAK 7' | 8' | 10' | RL



Pg. 11
Pre-Mitered
Casing Set
Available

366
11/16 x 2-1/4
PINE 7' | 8' | 10' | 14'
PRIMED 7' | 10' | 14'
CLAY COAT 7' | 7'2" | 14'
5/8 x 2-1/4
OAK 7' | RL
POPLAR 7' | 12' | RL



L 366
1/2 x 2-1/4
OAK 7'



366A
19/32 x 2-1/4
MDF 7' | 14'



376
11/16 x 2-1/4
PINE 7'
PRIMED 7' | 10'
19/32 x 2-1/4
MDF 14'



473 E2E
9/16 x 2-1/4
PINE 7' | 8' | RL



8900
3/8 x 2-1/4
OAK 7'

Lengths in RED subject to availability



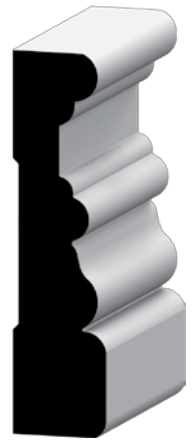
351
11/16 x 2-1/2
PINE 7' | RL
PRIMED 7' | 10' | 14'
11/16 x 2-1/2
MDF 7'



361
11/16 x 2-1/2
PINE 7' | 10' | RL
PRIMED 7' | 10' | 14'
CLAY COAT 7' | 14'
19/32 x 2-1/2
MDF 7' | 10' | 14'
9/16 x 2-1/2
OAK 7' | RL



4532
11/16 x 2-1/2
MDF 7'6"



P 380
11/16 x 2-3/4
PINE 7'6" | RL
PRIMED 7'4" | 10'
CLAY COAT 7'6" | 15'
MDF 7'6" | 16'
POPLAR RL



L 471 E2E
19/32 x 2-3/4
MDF 15'



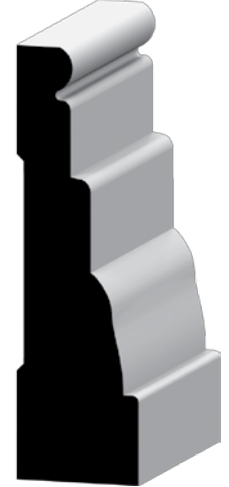
474
11/16 x 2-3/4
CLAY COAT 7'6" | 15'
OAK 7'4" | 12' | RL



685
11/16 x 2-3/4
MDF 16'
POPLAR 7'6" | RL



4520
11/16 x 2-3/4
MDF 7'6" | 15'



L LICA
7/8 x 3
MDF 8'



312
19/32 x 3
MDF 8' | 12' | 16'



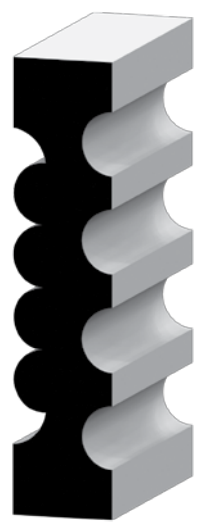
411
11/16 x 3
MDF 8' | 16'



8901
1/2 x 3
OAK 7'



L FLTD
7/16 x 3
PINE 7'



195
11/16 x 3-1/4
OAK 7'

Lengths in RED subject to availability



L 366
11/16 X 3-1/4
CLAY COAT 15'



L 444
11/16 x 3-1/4
PINE **8' | 10' | 12' |**
16' | RL
PRIMED 7'4" | 15'
CLAY COAT 7'6" | 15'
POPLAR 7'6" | RL
19/32 x 3-1/4
MDF **8' | 16'**
3/4 x 3-1/4
OAK **7'4" | 8' | 10' |**
12' | RL



445
11/16 x 3-1/4
PINE **8'**
PRIMED **8' | 11' | 16'**
CLAY COAT 7'6" | 15'
19/32 X 3-1/4
MDF **8' | 12'**



40
9/16 x 3-1/4
OAK **7'6" | 10' | RL**



445A
11/16 x 3-1/4
MDF **8' | 16'**



L 434
11/16 x 3-1/4
POPLAR **7'6" | RL**
OAK **8' | RL**



682
1 x 3-1/4
MDF **7'6" | 8' | 12'**
13/16 x 3-1/4
POPLAR **7'6" | RL**



L CC14
3/4 x 3-1/4
MDF **16'**



683
11/16 x 3-1/4
MDF **16'**



PT3
1 x 3-1/4
MDF **8' | 12' | 16'**



REV
5/8 x 3-1/4
PINE **7'**

Lengths in RED subject to availability



L 338
9/16 x 3-3/8
MDF 8'



L 361
11/16 x 3-1/2
PINE 7'4" | RL
PRIMED 7'4" | 15'



L 361C
11/16 x 3-1/2
PINE 8'
CLAY COAT 8'



374
11/16 x 3-1/2
CLAY COAT 7'6" | 16'
MDF 7'6" | 15'
3/4 x 3-1/2
OAK RL



412 E2E
19/32 x 3-1/2
MDF 8' | 12' | 16'

E412 E2E
11/16 x 3-1/2
PRIMED 16'

432 E2E
9/16 x 3-1/2
PRIMED 16'



444
11/16 x 3-1/2
PRIMED 16'



444A
11/16 x 3-1/2
MDF 16'

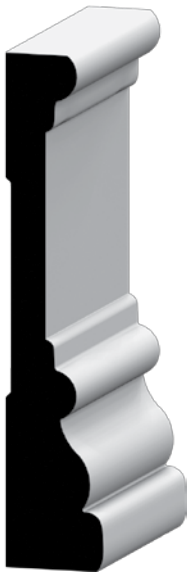


446
11/16 x 3-1/2
MDF 16'



535
11/16 x 3-1/2
MDF 8' | 16'

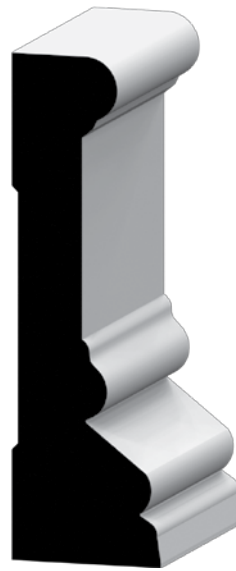
Lengths in **RED** subject to availability



P 450
11/16 x 3-1/2
PRIMED 7'4" | 10'
CLAY COAT 7'4" | 15' | 16'
POPLAR RL
MDF 16'



C PT11
3/4 x 3-1/2
MDF 16'



RB3
1 x 3-1/2
MDF 16'



S RB3
1-1/16 x 3-1/2
PRIMED 16'



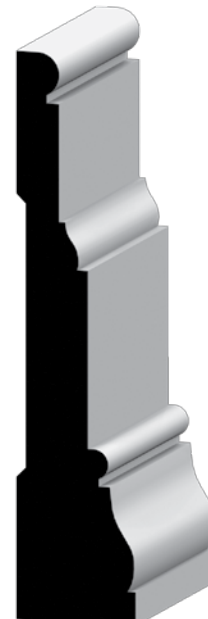
L FECA
7/8 x 3-1/2
MDF 8'



L PRCA
7/8 x 3-1/2
MDF 8'



5000
1-3/16 x 3-3/4
MDF 16'



L APCA
7/8 x 4
MDF 8'



284
19/32 x 4-1/4
MDF 8' | 12'

Fig. 11
Double Mitered
Set Available



857
3/8 x 1-1/4
PINE 7' | 8' | 10' | RL



L 887 E2E
3/8 x 1-1/4
PINE 7' | 8' | 10' | RL
OAK 7' | 8' | RL
POPLAR 7' | RL
PRIMED 7'
MDF 7' | 8' | 16'



947
3/8 x 1-1/4
PINE 7' | 8' | 10' | RL
OAK 7' | 8' | 10' | RL
POPLAR 7' | RL
PRIMED 7' | 16'
DOUBLE PRIMED 7'
N 947
3/8 x 1-1/4
MDF 7'



846
7/16 x 1-3/8
PINE 7' | 8' | RL
OAK 7' | RL



856
3/8 x 1-3/8
PINE 7' | RL



876 E1E
7/16 x 1-3/8
PINE 7' | 10'
POPLAR 7' | RL
PRIMED 8'2" | 16'



L 876 E2E
7/16 x 1-3/8
PRIMED 7'



916
3/8 x 1-3/8
OAK 7'



936
7/16 x 1-3/8
PINE 7' | 8' | 10' | 12' | RL
CLAY COAT 7'
OAK 7' | RL
POPLAR 7'



N 946
3/8 x 1-3/8
PINE 7'
MDF 7'
946
3/8 x 1-3/8
PRIMED 7'



845
7/16 x 1-5/8
PINE RL



935
7/16 x 1-5/8
PINE RL



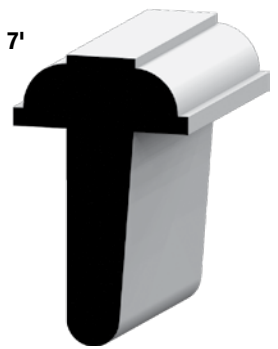
BFOLD
3/4 x 1-5/8
OAK 7'



L 973
3/8 x 1-5/8
PINE 8'



L 983
3/8 x 1-5/8
PINE 8'



1305 T-ASTRAGAL
1-1/4 X 2
PINE 7'



972 E2E
3/8 x 2
PINE 8' | RL



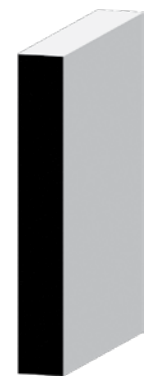
982
3/8 x 2
PINE 8' | RL



L 473 E2E
7/16 x 2-1/4
PRIMED 16'
19/32 x 2-1/4
MDF 7'6" | 15'
1/2 x 2-1/4
OAK 7' | 8' | 10' | RL
POPLAR 7' | RL



493 E2E
7/16 x 2-1/4
PINE 8' | RL

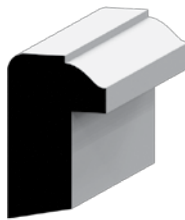


962
1/4 x 2-1/4
OAK 8'

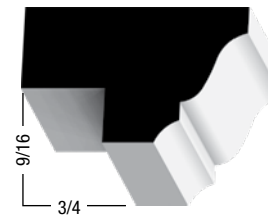
Lengths in RED subject to availability



280 BACK BAND
11/16 x 1-1/16
PINE 8'
Fits up to 11/16 Profile



281 BACK BAND
11/16 x 1-1/8
PINE RL
Fits up to 11/16 Profile



H 282 BACK BAND
2 x 1-1/4
POPLAR RL



180 BRICK
1-1/4 x 2
PRIMED 8' | 10' | 17'
2448
1-1/4 x 2
PVC 8' | 10' | 17'

Pg. 11
Pre-Mitered Set
& Legs Available



L 210 SHINGLE
5/8 x 1-5/8
PINE 8'
PRIMED 8' | 16'



L 197 DRIP CAP
5/8 x 1-5/8
PINE RL



E 208 SHINGLE
5/8 x 2-1/4
PRIMED 16'



N/L STOOL
11/16 x 2-1/4
PINE 8' | RL



1153 STOOL
11/16 x 3-1/4
PINE 8' | 10' | RL



1155 STOOL
11/16 x 2-1/2
PINE 8'



1021 STOOL
11/16 x 5-1/4
PINE 8' | RL
MDF 8' | 16'



**E 1035 EXTENDED
HALF ROUND**
1/2 x 1-3/8
POPLAR 8' | RL



7 1021 STOOL
19/32 x 7-1/4
MDF 16'



358 THRESHOLD
5/8 x 3-5/8
OAK 37" | 73"

Lengths in **RED** subject to availability

Jambs | Frames | Pre-Mitered

Jamb and Frame Collection

Dimensions	Below Dado	PRIMED	PINE	PINEV	MDF	BIRVN	WBIRVN	OAKVN	OAKOV	WOAKVN	POPVW
FLAT JAMBS, 6-8											
11/16 x 4-9/16	81"	X		X	X	X	X	X	X	X	X
11/16 x 4-7/8	81"	X		X	X						
11/16 x 5-1/4	81"	X		X							
11/16 x 6-9/16	81"	X		X							
11/16 x 6-7/8	81"	X									
FLAT JAMBS, 7-0											
11/16 x 4-9/16	85"	X									
11/16 x 4-7/8	85"	X									
11/16 x 6-9/16	85"	X									
FLAT JAMBS, 8-0											
11/16 x 4-9/16	97"	X									
11/16 x 4-7/8	97"	X									
11/16 x 6-9/16	97"	X		X							
11/16 x 6-7/8	97"	X									
11/16 x 7-1/4	97"	X									
FLAT JAMBS											
11/16 x 4-9/16 x 7'	PET	X									
11/16 x 4-3/4 x 7'	PET	X									
11/16 x 6-9/16 x 7'	PET	X									
11/16 x 6-9/16 x 10'	PET	X									
11/16 x 5 x 14'	PET	X									
11/16 x 4-9/16 x 17'	PET	X									
JAMB SET, 3-0 6-8											
11/16 x 4-9/16	81"	X		X							
SPLIT JAMB, 1-1/16 x 4-9/16											
2-3/4 FM x 2-1/2 M, 6-8	80-9/16"	X	X								
EXTERIOR FRAMES WITH WEATHER STRIP, 6-8 (ARMWL)											
1-1/4 x 4-9/16	83-5/8"	X									

Empire Pre-Mitered Collection

PRE-MITERED CASING OR FRAME SETS, 6-8

Profile	Casing Dimension	2-8	3-0	Species
L 324	1/2 x 2-1/4		X	OAK
L 356	1/2 x 2-1/4		X	OAK
180	1-1/4 x 2	X	X	PRIMED
316	11/16 x 2-1/4		X	PINE, PRIMED
327	11/16 x 2-1/4		X	PINE
356	11/16 x 2-1/4		X	PINE, PRIMED
366	11/16 x 2-1/4		X	PINE, PRIMED
4916	1-1/4 x 4-9/16		X	PRIMED w/Weather Strip

PRE-MITERED CASING LEGS, 7'

Profile	Casing Dimension	Species
180	1-1/4 x 2 (Left/Right)	PRIMED

DOUBLE MITERED STOP LEGS, 7'

TRIM ONE END FOR A LEFT OR RIGHT LEG

947	3/8 x 1-1/4	MDF
-----	-------------	-----



L 167 BASE CAP
5/8 x 1-1/8
PINE 8' | 10'



166 BASE CAP
11/16 x 1-1/4
PINE 8' | RL
PRIMED 8' | 16'



163 BASE CAP
11/16 x 1-3/8
MDF 16'
POPLAR 8' | RL



8740 BASE CAP
5/8 x 1-3/4
PRIMED 16'



L 627
7/16 x 2-1/2
PINE 8'



L 717
7/16 x 2-1/2
PINE 8'



L 634
7/16 x 3
PINE 8' | 10' | 12' | 16' | RL
PRIMED 8' | 10' | 12' | 16'
CLAY COAT 8' | 16'
3/8 x 2-3/4
OAK 8' | 10' | 12' | RL



L 724
7/16 x 3
PINE 8' | 10' | 12' | 16'
PRIMED 8' | 10' | 12' | 16'
3/8 x 2-3/4
OAK 8' | 10' | 12' | RL



634
1/2 x 3
OAK 8' | 12' | RL



H 634
1/2 x 3
POPLAR RL



L 635
3/8 x 3
OAK 8' | 10' | 12' | RL



664
9/16 x 3
PINE 8'



714
9/16 x 3
PINE 8' | RL
PRIMED 8'



B366
9/16 x 3-1/4
MDF 8'



L 433 E2E
7/16 x 3-1/4
PINE 8' | RL
1/2 x 3-1/4
MDF 8' | 16'
3/8 x 3
OAK 8' | 12' | RL
POPLAR RL



623
9/16 x 3-1/4
PINE 8' | 10' | 12' | 16' | RL
PRIMED 8' | 10' | 12' | 16'
CLAY COAT 8' | 16'
1/2 x 3-1/4
MDF 8' | 12' | 16'



L 633
7/16 x 3-1/4
PINE 8' | 12' | IRL
CLAY COAT 8' | 16'



633
1/2 x 3-1/4
OAK 8' | 10' | 12' | RL



H 633
1/2 x 3-1/4
OAK 8' | RL
POPLAR 8' | RL



663
9/16 x 3-1/4
PINE 8' | 16' | RL
PRIMED 8' | 10' | 12' | 16'
CLAY COAT 16'
1/2 x 3-1/4
MDF 8' | 16'



713
9/16 x 3-1/4
PINE 8' | 10' | 12' | 16'
PRIMED 8' | 10' | 12' | 16'
1/2 x 3-1/4
MDF 8' | 12'



723
1/2 x 3-1/4
OAK 8' | 12'



L 723
7/16 x 3-1/4
PINE 8' | 12' | RL



P 805
9/16 x 3-1/4
PRIMED 8' | 10' | 12'
CLAY COAT 16'



410
19/32 x 4-1/4
MDF 8' | 16'



L 414 E1E
9/16 x 4-1/4
PRIMED 16'



414 E2E
1/2 x 4-1/4
MDF 16'



435 E1E
7/16 x 4-1/4
OAK RL
POPLAR RL



620
9/16 x 4-1/4
PINE 8' | 12' | 16' | RL
PRIMED 8' | 10' | 16'
CLAY COAT 8' | 16'
1/2 x 4-1/4
MDF 8' | 12' | 16'



L 620
1/2 x 4-1/4
OAK 8' | 10' | 12' | RL
POPLAR 8' | RL



675
1/2 x 4-1/4
OAK 8' | RL



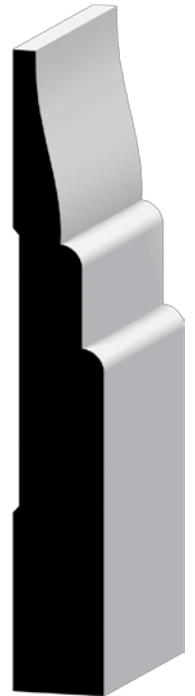
BC14
11/16 x 4-1/4
MDF 16'



P 808
9/16 x 4-1/4
PINE 8' | RL
PRIMED 8' | 10' | 12' | 16'
CLAY COAT 8' | 16'
1/2 x 4-1/4
MDF 8' | 16'
OAK 8' | 12' | RL
POPLAR RL



L P808
19/32 x 4-1/4
MDF 16'



L LIBA
11/16 x 4-1/2
MDF 8' | 12'



B PT11
9/16 x 4-1/2
MDF 16'



545
19/32 x 5
MDF 8' | 16'



L 514 E1E
7/16 x 5-1/4
POPLAR RL
9/16 x 5-1/4
PRIMED 16'



763
19/32 x 5-1/4
MDF 16'



163E
19/32 x 5-1/4
MDF 16'
L 163E
9/16 x 5-1/4
PRIMED 16'



B 312
19/32 x 5-1/4
MDF 16'



618
9/16 x 5-1/4
PINE 8' | RL
CLAY COAT 16'



658
9/16 x 5-1/4
CLAY COAT 16'



7055
19/32 x 5-1/4
MDF 16'



L 618
1/2 x 5-1/4
MDF 16'



674
9/16 x 5-1/4
CLAY COAT 8' | 16'
1/2 x 5-1/4
OAK 8' | 12' | RL

8740 BASE CAP
5/8 x 1-3/4
PRIMED 16'



8741
9/16 x 5-1/4
PRIMED 16'



695
1/2 x 5-1/4
OAK 8' | RL



P 813
9/16 x 5-1/4
PINE RL
PRIMED 8' | 12'
CLAY COAT 8' | 16'
1/2 x 5-1/4
MDF 8' | 16'
POPLAR RL



L P813
19/32 x 5-1/4
MDF 16'



512 E2E
1/2 x 5-1/2
MDF 8' | 12' | 16'

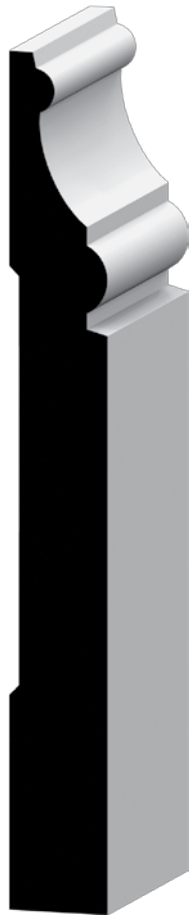


L 512 E2E
19/32 x 5-1/2
MDF 16'

Lengths in RED subject to availability



L PRBA
11/16 x 5-1/2
MDF 8' | 12'



L FEBA
11/16 x 6
MDF 8' | 12'



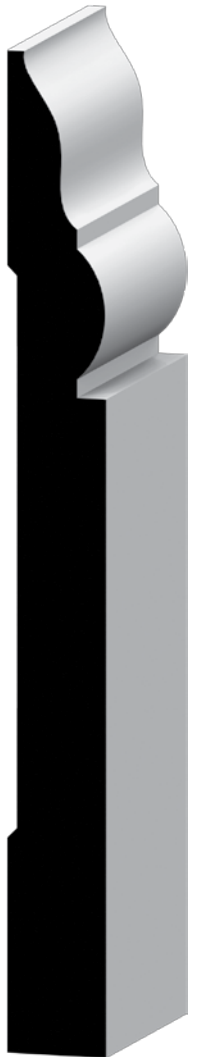
765
19/32 x 7-1/4
MDF 16'



8263
19/32 x 6-1/2
MDF 8' | 16'



L P815
19/32 x 7-1/4
MDF 16'



L APBA
11/16 x 7
MDF 8' | 12'



7163
19/32 x 7-1/4
MDF 16'



E 714
1/2 x 7-1/4
MDF 16'



207
19/32 x 7-1/4
MDF 16'



9623 SKIRTBOARD
1/2 x 9-1/4
MDF 10' | 16'



391
11/16 x 2-1/4
PINE 8' | 10' | 12' | RL



L LICH
7/8 x 2-2-1/2
MDF 8'



L APCH
7/8 x 2-1/2
MDF 8'



390
11/16 x 2-5/8
PINE 8' | 10' | 12' | 16' | RL
PRIMED 8'
CLAY COAT 16'
19/32 x 2-5/8
MDF 16'
5/8 x 2-5/8
OAK 8' | 12' | RL
POPLAR 8' | RL



L 300
1 x 2-7/8
MDF 8' | 12'



L 301
1 x 3-1/4
MDF 16'



L PRCH
7/8 x 3-1/2
MDF 8'



L FECH
7/8 x 4
MDF 8'



956W
1/2 x 4-1/4
MDF 8'



6 Pc. - 8'
Pre-packed
Kits Available

**WC14
WAINSCOTING**
1/2 x 3-5/16
MDF 8'



**1X4 EC
WAINSCOTING**
23/32 x 3-1/2
PRIMED 16'



4 Pc. - 8'
Pre-packed
Kits Available

**WC16
WAINSCOTING**
19/32 x 5
MDF 16'



4 Pc. - 8'
Pre-packed
Kits Available

**L WP4
WAINSCOTING**
19/32 x 5
MDF 8' | 16'



4 Pc. - 8'
Pre-packed
Kits Available

**L SBW4
WAINSCOTING**
19/32 x 5-1/4
MDF 16'



**1X6 EC
WAINSCOTING**
23/32 x 5-1/2
PRIMED 16'



185 PANEL MOULD
9/32 x 1-3/8
PINE 8' | RL



L 184 PANEL MOULD
1/2 x 1-1/2
PRIMED 16'



182 PANEL MOULD
11/16 x 1-5/8
PRIMED 16'



190 PANEL MOULD
1 x 2
POPLAR 8' | RL



**WCAP
WAINSCOTING CAP**
11/16 x 2
MDF 8'



158 LIP
3/4 x 1-5/8
OAK 8'

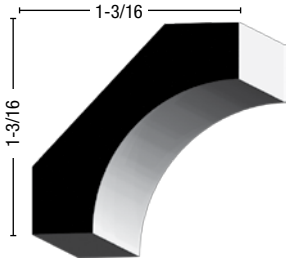


292 PLY CAP
9/16 x 1-1/8
PINE 8' | RL
1/2 x 1-1/16
OAK 8'



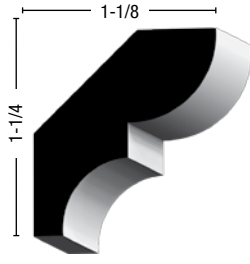
L 294 CAP
11/16 x 1-1/16
OAK 8'

Lengths in RED subject to availability

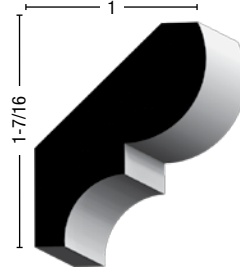


85
9/16 x 1-3/4
PINE 8' | 12' | RL

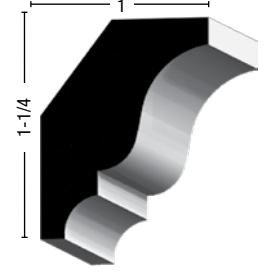
86
9/16 x 1-5/8
PINE 8' | 10' | 12' | RL



75
9/16 x 1-5/8
PINE 8' | 12' | RL

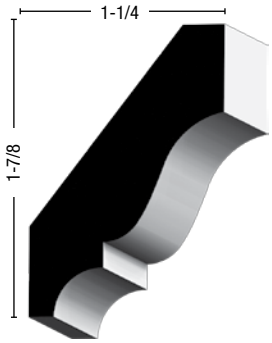


74
9/16 x 1-3/4
PINE 8' | RL
PRIMED 16'

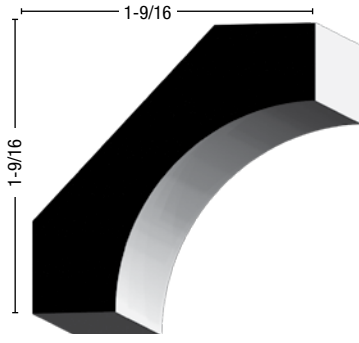


68
9/16 x 1-5/8
PINE 8' | 12' | RL

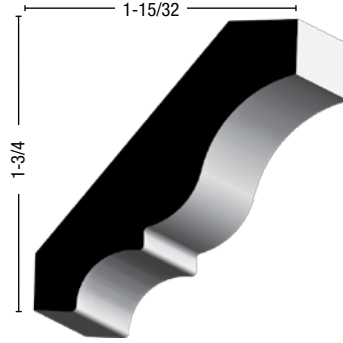
L 68
5/8 x 1-5/8
OAK RL



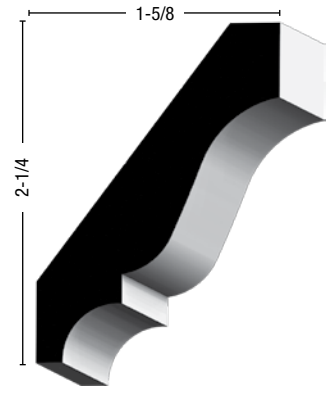
54
9/16 x 2-1/4
PINE 8' | 10' | 16' | RL
PRIMED 8' | 16'



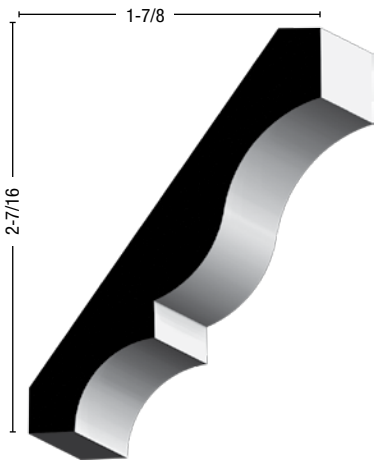
84
9/16 x 2-1/4
PINE 8' | 12' | RL



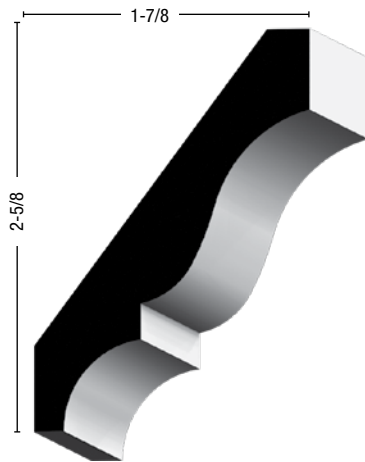
L 54
1/2 x 2-1/4
OAK 8' | 10' | 12' | RL



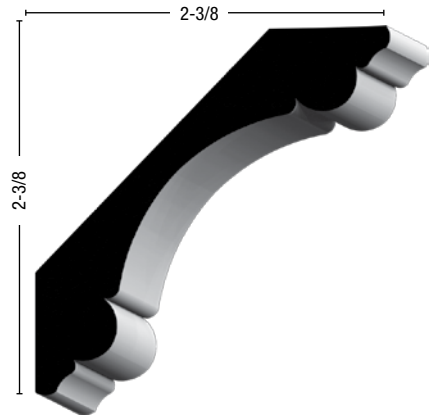
52
9/16 x 2-3/4
PINE 8' | 12' | RL
1/2 x 2-3/4
OAK RL



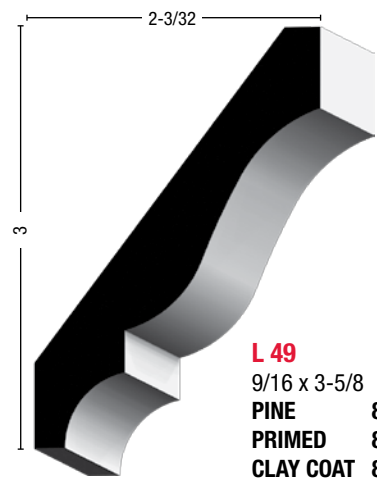
51
1/2 x 3-1/4
OAK 8' | 10' | 12' | RL



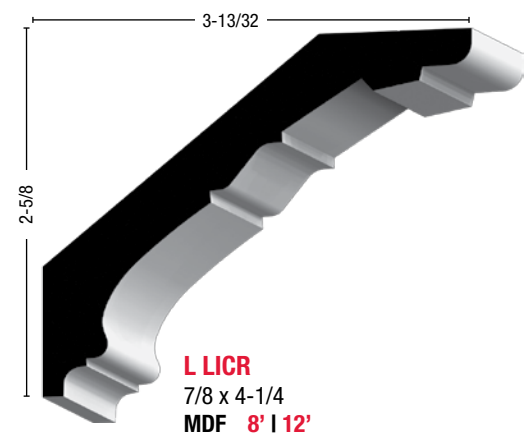
L 51
9/16 x 3-1/4
PINE 8' | 10' | 12' | 16' | RL
PRIMED 8' | 10' | 12' | 16'
CLAY COAT 16'
POPLAR 10' | 12' | RL



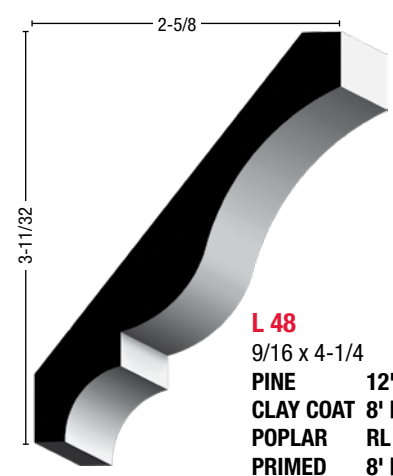
340
11/16 x 3-3/8
MDF 16'



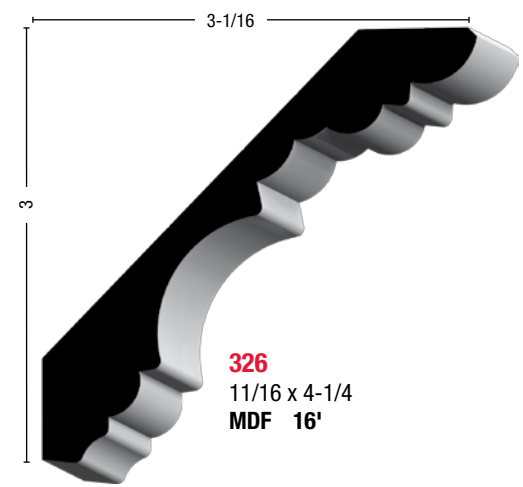
L 49
9/16 x 3-5/8
PINE 8' | 10' | 12' | 16' | RL
PRIMED 8' | 12'
CLAY COAT 8' | 16'
19/32 x 3-5/8
MDF 16'



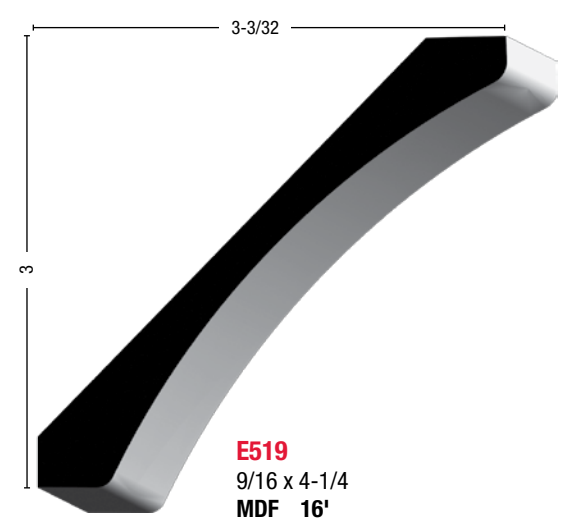
L LICR
7/8 x 4-1/4
MDF 8' | 12'



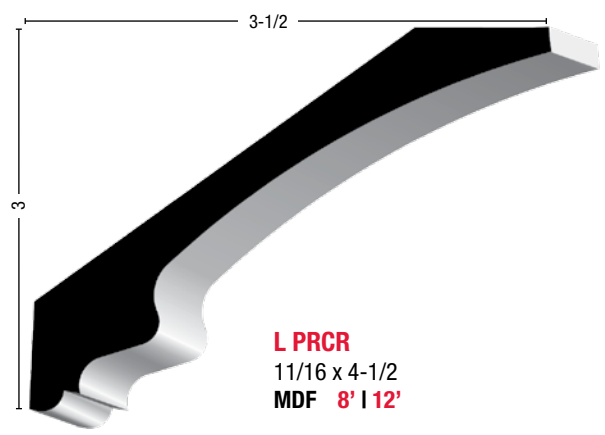
L 48
9/16 x 4-1/4
PINE 12' | RL
CLAY COAT 8' | 16'
POPLAR RL
PRIMED 8' | 16'
19/32 x 4-1/4
MDF 8' | 16'
3/4 x 4-1/4
OAK 8' | RL



326
11/16 x 4-1/4
MDF 16'

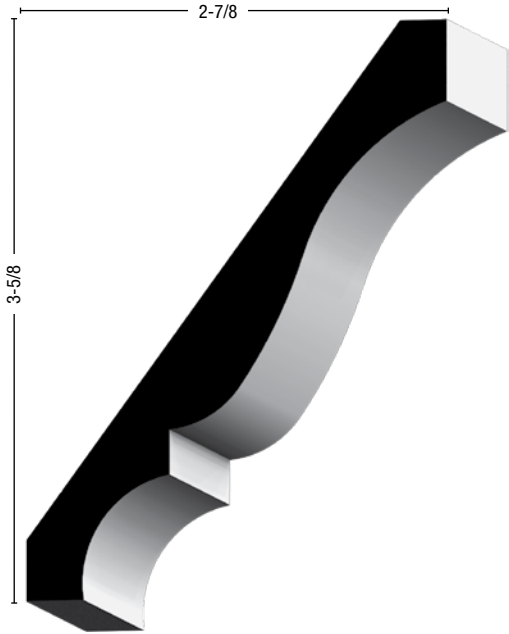


E519
9/16 x 4-1/4
MDF 16'

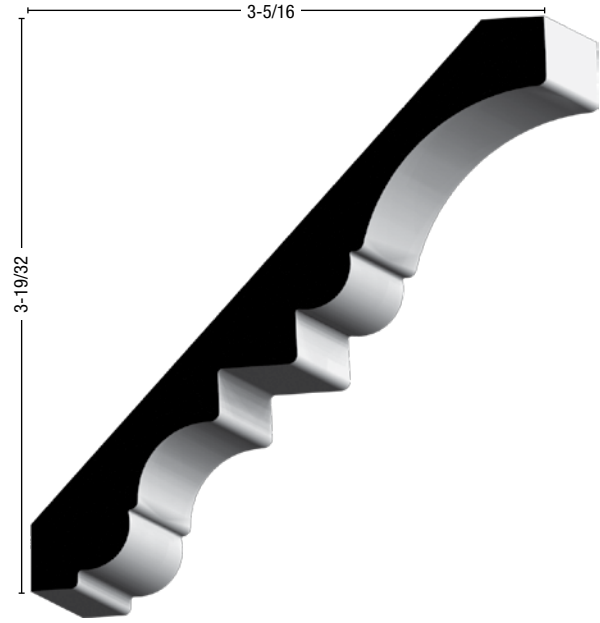


L PRCR
11/16 x 4-1/2
MDF 8' | 12'

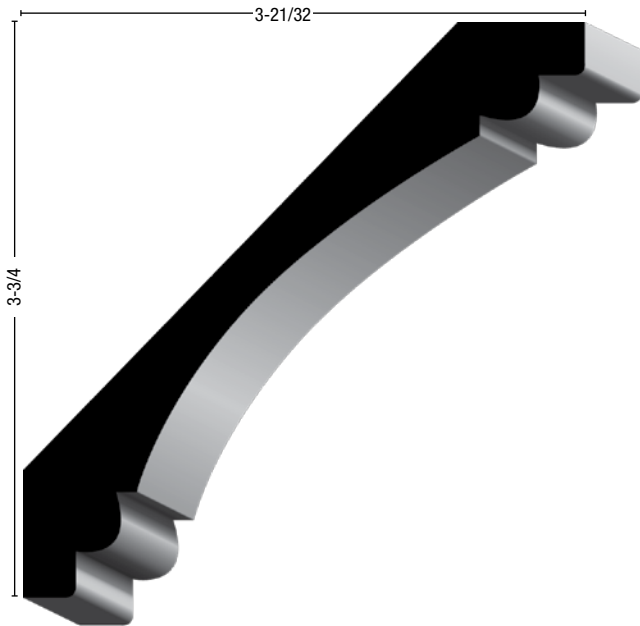
Lengths in **RED** subject to availability



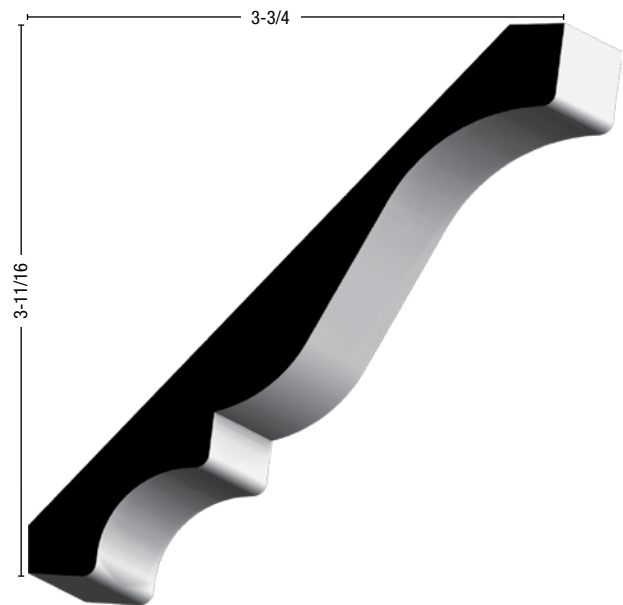
L 47
9/16 x 4-5/8
PRIMED 16'
19/32 x 4-5/8
MDF 16'



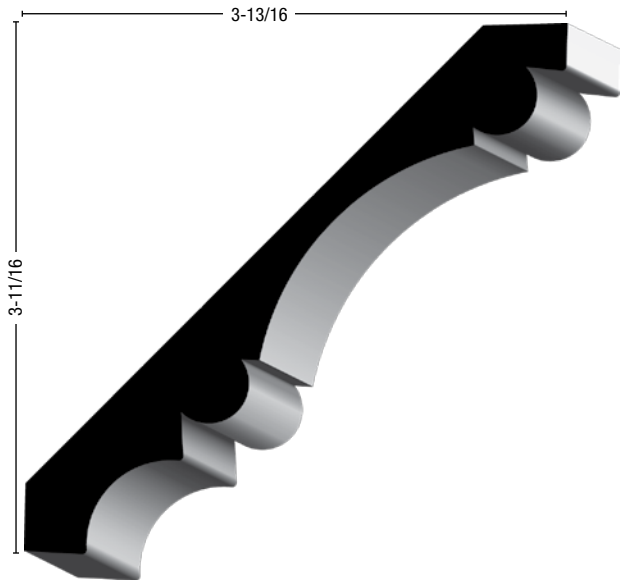
CURT
19/32 x 5
MDF 16'



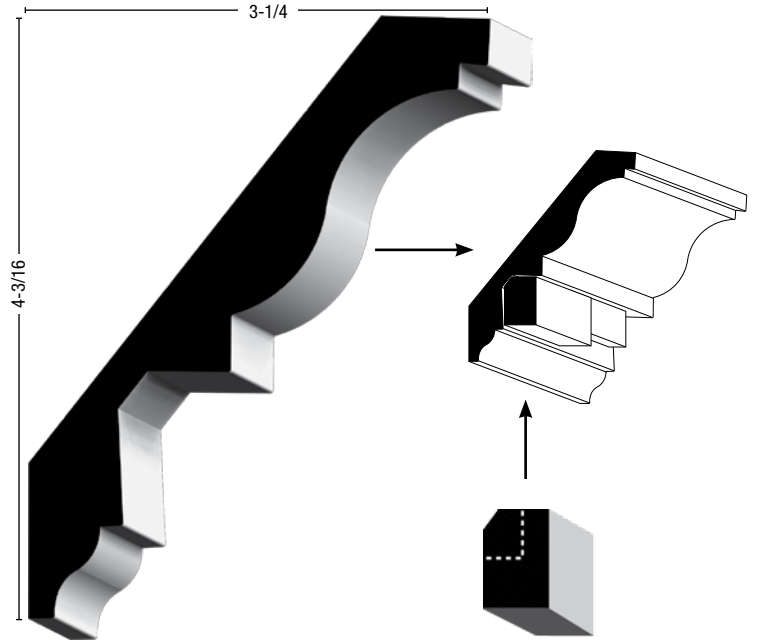
525
11/16 x 5-1/4
MDF 16'



L 45
19/32 x 5-1/4
MDF 8' | 16'

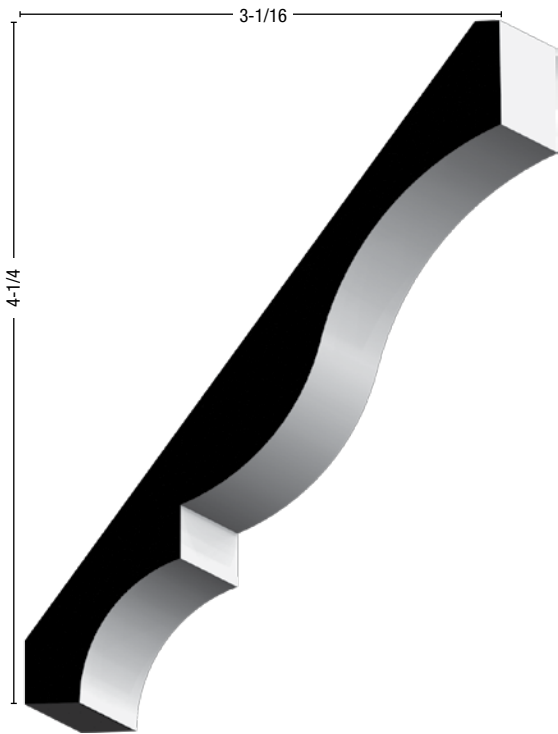


825
11/16 x 5-1/4
MDF 16'

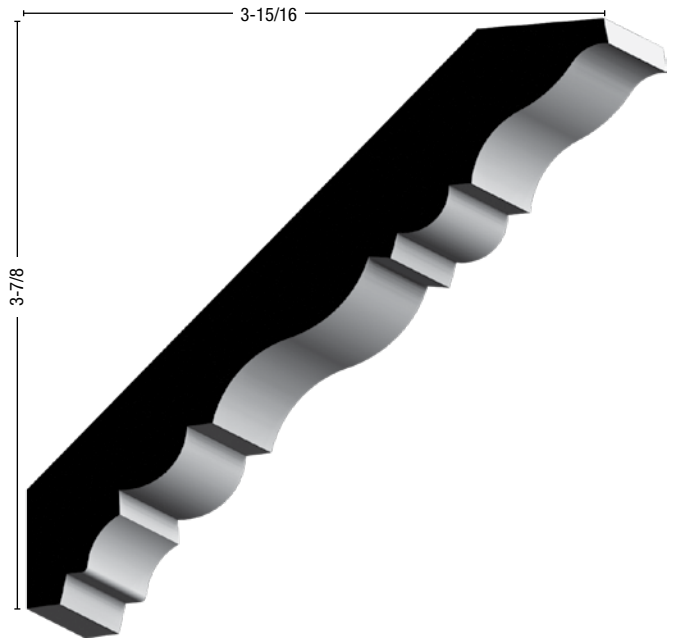


45
13/16 x 5-1/4
OAK 8' | RL

2302 DENTIL
11/16 x 15/16
OAK 8'

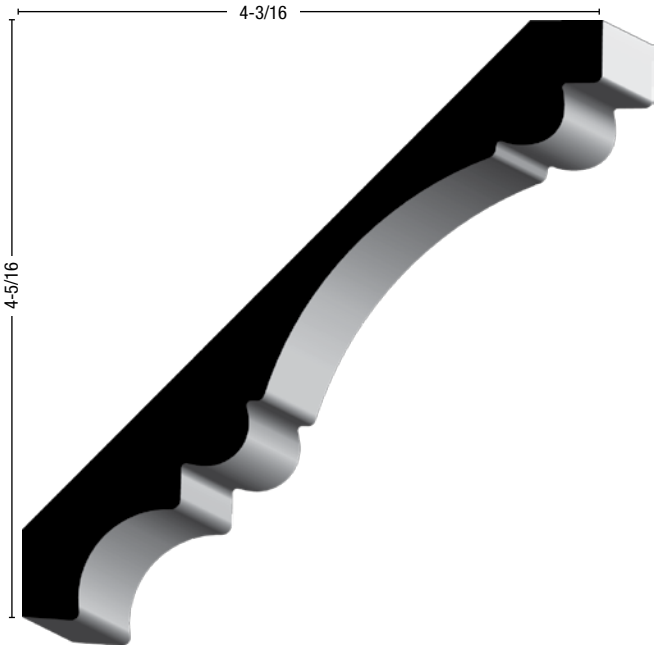


L 46
9/16 x 5-1/4
PINE RL
CLAY COAT 8' | 16'
PRIMED 8' | 16'
POPLAR RL
3/4 x 5-1/4
OAK 12' | RL

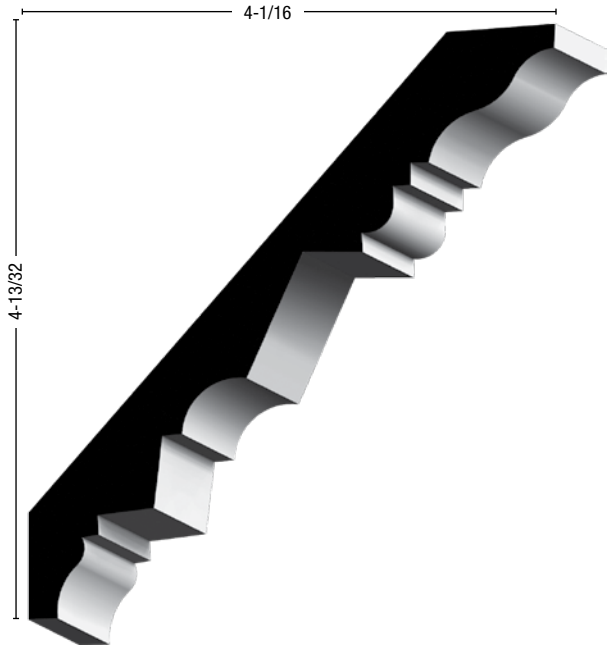


L FECR
11/16 x 5-1/2
MDF 8' | 12'

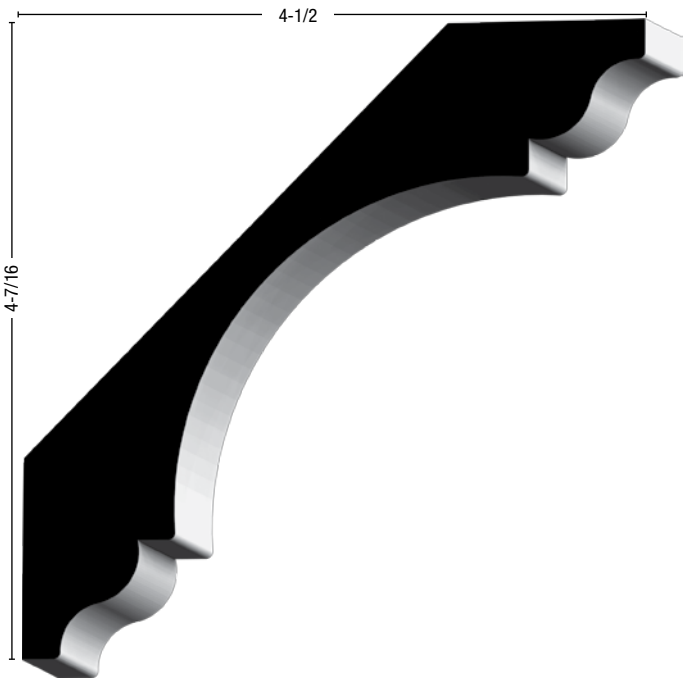
Lengths in **RED** subject to availability



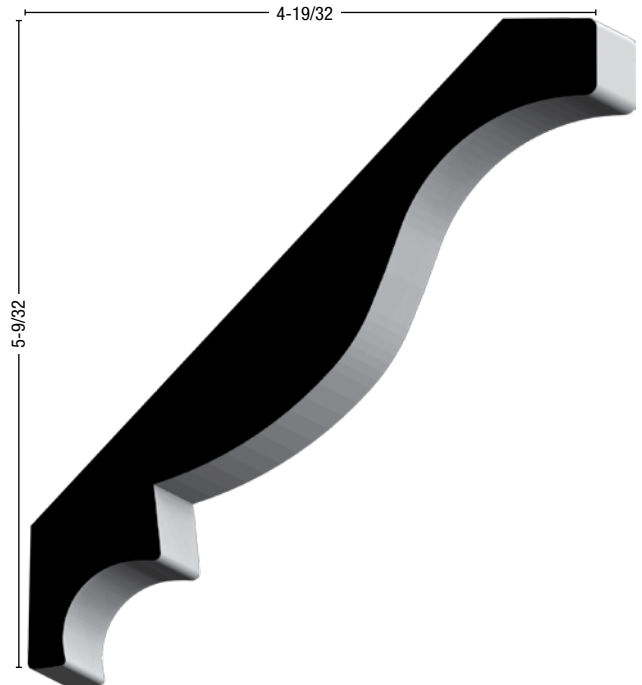
826
11/16 x 6
MDF 16'



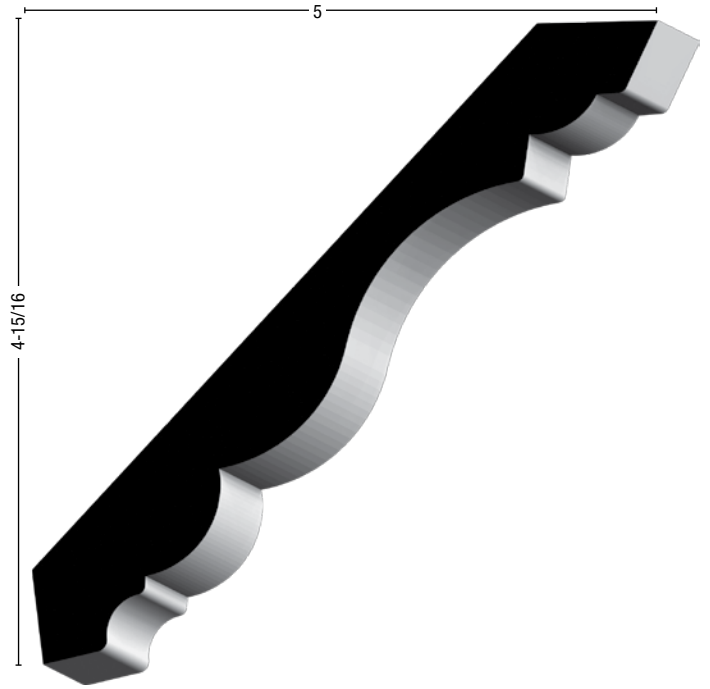
L APCR
11/16 x 6
MDF 8' | 12'



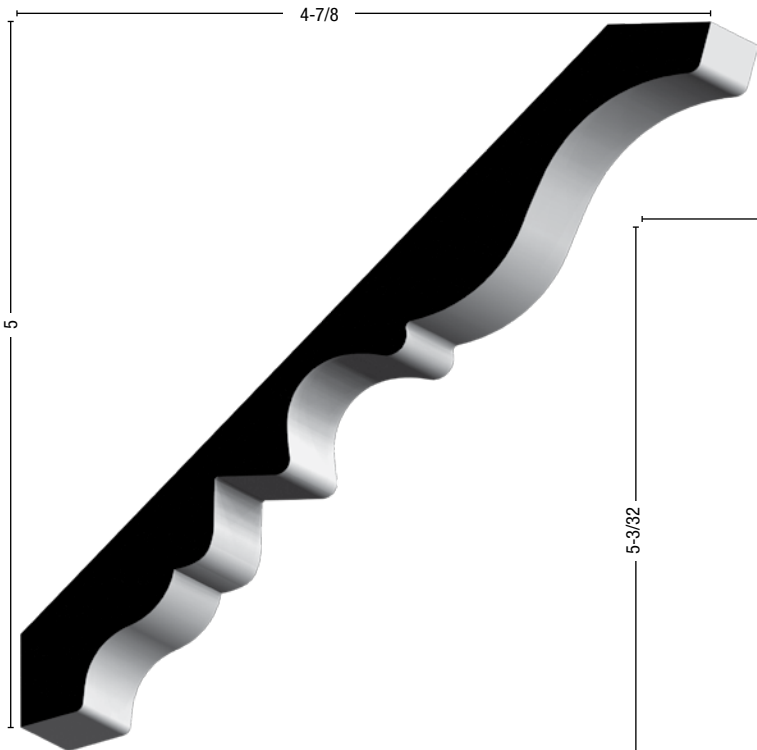
041
1-3/16 x 6-5/16
MDF 8' | 16'



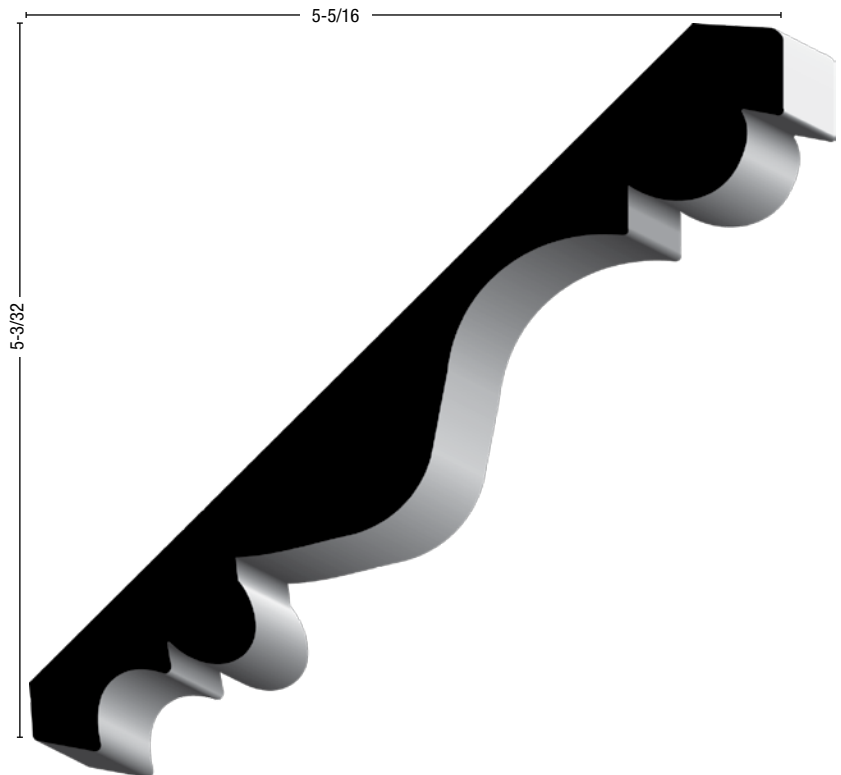
043
1 x 6-15/16
MDF 16'



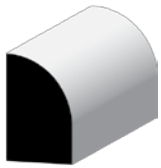
CR75
13/16 x 6
MDF 16'



42
11/16 x 7
MDF 8' | 16'



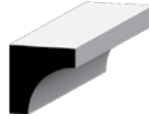
827
11/16 x 7-1/4
MDF 16'



126 SHOE
1/2 x 3/4
PINE 8' | 10' | 12' | RL
PRIMED 8' | 16'
OAK 8' | 10' | 12' | RL
POPLAR 8' | 10' | RL
POPPA RL
MAPLE 8' | RL



34 CLOVER LEAF SHOE
3/4 x 3/4
PINE RL
OAK 8' | RL

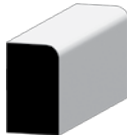


93 COVE
3/4 x 3/4
PINE 8' | 10' | 16' | RL
PRIMED 8' | 16'
OAK 8' | 10' | 12' | RL

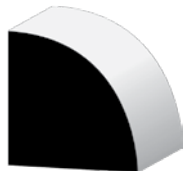


L 94 COVE
5/8 x 1-1/8
PINE 8' | 12' | RL

129
7/16 x 11/16
PINE 8' | 10' | 12'
PRIMED 8' | 12'



L 254 CRAFTSMAN SHOE
7/16 x 3/4
PRIMED 16'



103 QUARTER ROUND
1-1/16 x 1-1/16
PINE 8' | RL
105
3/4 x 3/4
PINE 8' | 10' | 12' | RL
OAK 8' | RL
PRIMED 16'
POPLAR 8' | RL



137 SCREEN MOULD-CLOVER
3/8 x 3/4
PINE 8'



142 SCREEN MOULD
1/4 x 3/4
PINE 8' | 10' | 12' | RL
OAK 8' | RL
POPLAR RL



171 SHELF EDGE
9/16 x 3/4
OAK 8'
POPLAR 8'

106
11/16 x 11/16
PINE 8' | 10' | 12' | RL
PRIMED 8' | 12' | 16' | RL



144 SCREEN MOULD-BEADED
1/4 x 3/4
PINE 8'



123 HALF ROUND
5/16 x 5/8
PINE 8' | RL



260 SHELF EDGE
11/16 x 1-1/4
OAK 8'
POPLAR 8'

108
1/2 x 1/2
PINE 8' | 10' | 12' | RL
110
1/4 x 1/4
PINE 8'



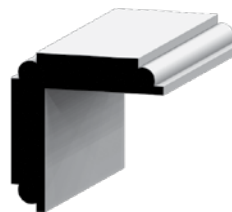
E 1035 EXTENDED HALF ROUND
1/2 x 1-3/8
POPLAR 8' | RL



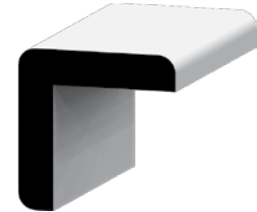
147 GLASS BEAD
1/2 x 9/16
PINE 8' | RL



995 CHAMFER
3/4 x 3/4
PINE 8' | RL



202 CORNER GUARD
1-1/8 x 1-1/8
PINE 8'



204 CORNER GUARD
1-5/16 x 1-5/16
PINE 8' | RL

205
1-1/8 x 1-1/8
PINE 8' | RL'
PRIMED 8'
1-1/16 x 1-1/16
OAK 8' | RL
206
3/4 x 3/4
PINE 8' | RL
OAK 8'



L 263 LATTICE

1/4 x 2-1/4

PINE 8'

L 265

1/4 x 1-3/4

PINE 8' | 10' | RL

L 266

1/4 x 1-1/2

PINE 8' | 10'

PRIMED 8' | 12'

L 267

1/4 x 1-3/8

PINE 8' | 10' | 12' | RL

L 268

1/4 x 1-1/8

PINE 8' | 10' | 12'



L 246 SCREEN STOCK

11/16 x 2-3/4

PINE 8' | 10' | RL

PRIMED 16'

246

3/4 x 2-3/4

OAK 4' | 6' | 8'

POPLAR 4' | 6' | 8' | 10' | RL

L 248

11/16 x 1-3/4

PINE 8' | 16' | RL

PRIMED 16'

248

3/4 x 1-3/4

OAK 4' | 6' | 8' | 10' | RL

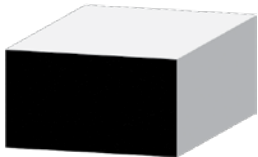
POPLAR 4' | 6' | 8' | 10' | 12' | RL



L 250E E2E

11/16 x 1-1/2

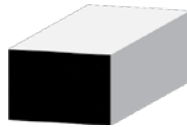
MDF 8' | 10'



L 252 BLIND STOP

11/16 x 1-1/4

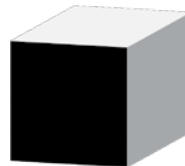
PINE 8' | RL



254 CHECK STOP

1/2 x 3/4

PINE 8' | 10' | 12' | RL



238 SQUARE

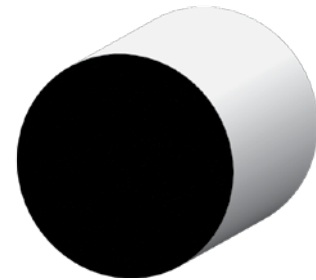
1-1/16 x 1-1/16

PINE 8'

239

3/4 x 3/4

PINE 8' | RL



L 232 CLOSET POLE

1-9/16 Full Round

DFIR 8'

233

1-15/16 Full Round Vinyl Wrapped Wood

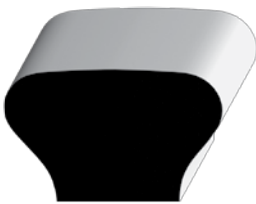
VNLVL 6' | 8' | 10'

L 233

1-1/4 Full Round

DFIR 6' | 8' | 10' | 12' | 14' | 16' | RL

SPINE 8' | 16'

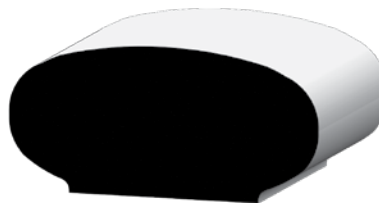


L 230 HAND RAIL

1-1/4 x 2

DFIR 8' | 12' | 16'

POPLAR 8' | 10' | 12' | 14' | 16' | RL

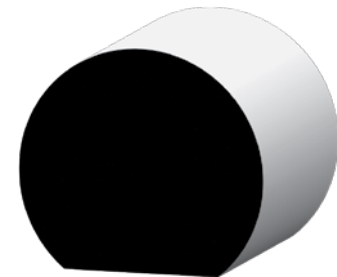


240 HAND RAIL

1-1/4 x 2-1/4

DFIR 14' | 16' | RL

SPINE 8' | 12'



231 HAND RAIL

1-1/2 x 1-11/16

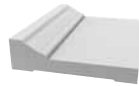
DFIR 8' | 12' | 14' | 16' | RL

SPINE 8' | 12' | 16'

POPLAR 8' | 12' | 14' | 16'



S9702 PVC SMOOTH S4S SKIRT BOARD
3/4 x 3-1/2
WHITE 18'



2590 CASING WITH BACK BAND
1-13/16 x 4-1/2
WHITE 12'



2024 QUARTER ROUND
1/2 x 1/2
WHITE 8'



E9702 PVC SMOOTH S4S SKIRT BOARD
3/4 x 3-1/2
WHITE 18'



2100 THERMO STOP
7/16 x 1-7/8
WHITE 7' | 9' | 16'



2689 QUARTER ROUND
3/4 x 3/4
WHITE 8'
WHBLR 16'



S9703 PVC SMOOTH S4S SKIRT BOARD
3/4 x 5-1/2
WHITE 18'



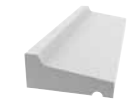
2150 STOP
5/8 x 1-1/2
WHITE 12'



2258 EXTERIOR BEAD
1/2 x 13/32
WHITE 8'



E9703 PVC SMOOTH S4S SKIRT BOARD
3/4 x 5-1/2
WHITE 18'



2449 DRIP CAP
11/16 x 1-5/8
WHITE 12' | 16'



2330 BLIND STOP
5/8 x 5/8
WHITE 8'



2497 JAMB
3/4 x 5-7/8
WHITE 7' | 10'
5/8 x 5-5/8



7901 SHINGLE PANEL
21/32 x 1-23/32
WHITE 8'



S9706 SMOOTH S4S J-CHANNEL TRIM
1 x 3-1/2
WHITE 18'



7181 EXTERIOR DOOR FRAME
1-1/4 x 4-9/16
WHITE 7'



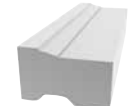
2599 SHINGLE MOULDING
11/16 x 1-5/8
WHITE 8'



E9706 EMBOSSED S4S J-CHANNEL TRIM
1 x 3-1/2
WHITE 18'



N7241 EXTERIOR DOOR JAMB KIT
1-1/4 x 6-9/16 3-0 x 6-8 KIT
WHITE



2448 BRICK MOULD (180)
1-1/4 x 2
BROWN 8'
SANDSTONE 8'
WHITE 8' | 10' | 17'



S7994 SMOOTH S4S J-CHANNEL TRIM
1 x 5-1/2
WHITE 18'



7117 MAIN SILL
1-1/4 x 5-1/4
WHITE 7'



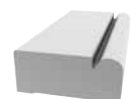
7526 BRICK MOULD
1-1/4 x 2
WHITE 8' | 10' | 17'
(3-0 mitered sets available)



E7994 1 EMBOSSED S4S J-CHANNEL TRIM
1 x 5-1/2
WHITE 18'



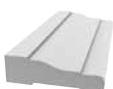
7118 NOSE SILL
1-5/16 x 1-3/8
WHITE 7'



7252 BRICK MOULD (L 176)
11/16 x 1-5/8
WHITE 8' | 10'



2435 CROWN
9/16 x 3-5/8
WHITE 12'



2355 CASING (356)
11/16 x 2-1/4
WHITE 12'



2536 WHBLR PVC INSIDE CORNER
1-1/4 x 1-1/4
WHBLR 20'



2598 BED MOULD
9/16 x 1-5/8
WHITE 12'



7158 RAMS CROWN
1-13/32 x 2-1/16
WHITE 12'



2450 BASE CAP
11/16 x 1-1/8
WHITE 8'



S7971 PVC SMOOTH SOLID CORNER
1 x 3-11/16
WHITE 20'



2021 COVE
3/4 x 3/4
WHITE 8'



2709 FLAT UTILITY TRIM
5/16 x 5-3/16
WHITE 8'



E7971 PVC EMBOSSED SOLID CORNER
1 x 3-11/16
WHITE 20'



7716 CHAIR RAIL/CAP
5/8 x 3
WHITE 8'



2018 LATTICE
1/4 x 1-1/2
WHITE 8'



S7972 PVC SMOOTH RABBET CORNER
1 x 3-11/16
WHITE 20'



2352 EXTERIOR PLANKING
5/8 x 5-15/32
WHITE 8'



7719 PVC SMOOTH OS CRNR(WM205)
1-1/8 x 1-1/8
WHITE 12'



E7972 PVC EMBOSSED RABBET CORNER
1 x 3-11/16
WHITE 20'



7718 WAINSCOTING KIT
1/4 x 7-1/2
WHITE 34" | 8'



S7970 PVC SMOOTH RABBET CORNER
1 x 5-11/16
WHITE 20'



S7973 PVC SMOOTH SOLID CORNER
1 x 5-11/16
WHITE 20'



7527 BASE
9/16 x 3-1/4
WHITE 12'



E7970 PVC EMBOSSED RABBET CORNER
1 x 5-11/16
WHITE 20'



E7973 PVC EMBOSSED SOLID CORNER
1 x 5-11/16
WHITE 20'

PVC Boards & Sheets

TRIM BOARD - EMBOSSED / SMOOTH

1X2	3/4 x 1-1/2	7832	PVC	1X12	3/4 x 11-1/4	7838	PVC
			8' 12'				18'
1X3	3/4 x 2-1/2	7833	PVC	5/4X4	1 x 3-1/2	7840	PVC
			8'				10' 18' 20'
1X4	3/4 x 3-1/2	7834	PVC	5/4X6	1 x 5-1/2	7841	PVC
			8' 12' 18'				10' 18' 20'
1X6	3/4 x 5-1/2	7835	PVC	5/4X8	1 x 7-1/4	7842	PVC
			8' 12' 18'				18'
1X8	3/4 x 7-1/4	7836	PVC	5/4X10	1 x 9-1/4	7843	PVC
			8' 12' 18'				18'
1X10	3/4 x 9-1/4	7837	PVC	5/4X12	1 x 11-1/4	7844	PVC
			8' 12' 18'				18'

Lengths in **RED** subject to availability

Embossed / Smooth



PVC SHEETS - EMBOSSED / SMOOTH

4' x 8' PVC Sheets

3/8" E 2878

1/2" E 2871

3/4" E 2837

1" E 2864

Casing Blocks | Base Blocks

Top Quality
HARDWOOD FLOORING MATERIALS

SCHILLER PARK (847) 233-6300
BRIDGEVIEW (708) 430-8800



BULLSEYE ROSETTE
642
5/8 x 2-1/2 PINE
WHITE WOOD
OAK
734
27/32 x 3-1/2 PINE
WHITE WOOD
OAK
13/16 x 3-1/2
740
27/32 x 4-1/2 WHITE WOOD



PLINTH BLOCK - BEVELED
1401
7/8 x 2-3/4 x 4-1/2 PRIMED
OAK
1403
7/8 x 3-3/4 x 6 PRIMED
OAK
917
1-1/8 x 3-1/2 x 6-1/2 PINE
OAK



BASE BLOCK - OUTSIDE CORNER
892
1-1/8 x 6-3/4 WHITE WOOD
8920
1-1/8 x 6-3/4 PINE
OAK
9 OS
1-1/8 x 9 MDF
BASE BLOCK - INSIDE CORNER
895
7/8 x 6-3/4 WHITE WOOD
8951
7/8 x 6-3/4 PINE
OAK
9 IS
1-1/8 x 9 MDF



BULLSEYE ROSETTE - BEVELED
1400
7/8 x 2-3/4 PRIMED
OAK
1402
7/8 x 3-3/4 PRIMED
OAK



PLINTH BLOCK - MOULDED
887
27/32 x 2-1/2 x 5-3/4 WHITE WOOD
742
1-1/8 x 3-1/2 x 6-1/2 OAK
1-1/16 x 3-1/2 x 6-1/2 WHITE WOOD
1404
7/8 x 3-3/4 x 7 PINE
334
1 x 3-3/4 x 9 MDF
438
1 x 4-3/8 x 9 MDF
743
1-1/16 x 4-1/2 x 8 WHITE WOOD



BASE BLOCK - OUTSIDE CORNER
1892
1-1/8 x 6-1/2 PINE
PRIMED
OAK
BASE BLOCK - INSIDE CORNER
1895
1-1/8 x 6-1/2 PINE
PRIMED
OAK



BULLSEYE ROSETTE - BEVELED
3
7/8 x 3 MDF
334
7/8 x 3-3/4 MDF
438
1 x 4-3/8 MDF



FLORAL ROSETTE - BEVELED
871
1-1/16 x 3-1/2 PINE
WHITE WOOD
OAK
915
27/32 x 2-1/2 PINE
WHITE WOOD
OAK



STAR ROSETTE
1200
1-1/16 x 3-1/2 WHITE WOOD



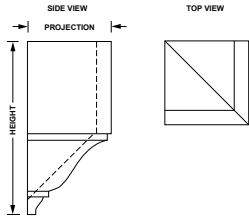
PLINTH BLOCK - MOULDED
P 358
1 x 3-5/8 x 8 POPLAR



RADIUS BASE BLOCK
P 808
9/16 x 4-1/4 x 3/4 RAD POPLAR
P 813
9/16 x 5-1/4 x 3/4 RAD POPLAR



BULLSEYE ROSETTE - BEVELED
P 3588
1 x 3-5/8 POPLAR



INSIDE CORNER

1897 - SMALL

4-1/8 height x 2-1/8 projection

WHITE WOOD

1888 - MEDIUM

5-5/8 height x 2-5/8 projection

**PINE
PRIMED**

1898 - MEDIUM

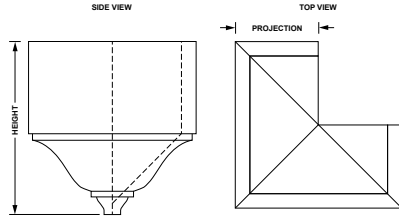
5-7/8 height x 2-27/32 projection

WHITE WOOD

1899 - LARGE

7-3/4 height x 3-11/16 projection

WHITE WOOD



OUTSIDE CORNER

1897 - SMALL

4-1/8 height x 2-1/8 projection

WHITE WOOD

1888 - MEDIUM

5-5/8 height x 2-5/8 projection

**PINE
PRIMED**

1898 - MEDIUM

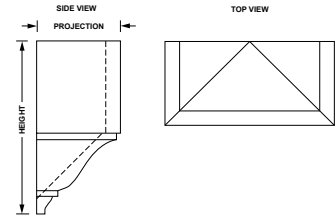
5-7/8 height x 2-27/32 projection

WHITE WOOD

1899 - LARGE

7-3/4 height x 3-11/16 projection

WHITE WOOD



MIDDLE

1897 - SMALL

4-1/8 height x 2-1/8 projection

WHITE WOOD

1888 - MEDIUM

5-5/8 height x 2-5/8 projection

**PINE
PRIMED**

1898 - MEDIUM

5-7/8 height x 2-27/32 projection

WHITE WOOD

1899 - LARGE

7-3/4 height x 3-11/16 projection

WHITE WOOD



INSIDE CORNER

1889 - LARGE

7-1/2 height x 3-1/2 projection **PINE**



OUTSIDE CORNER

1889 - LARGE

7-1/2 height x 3-1/2 projection **PINE**



MIDDLE

1889 - LARGE

7-1/2 height x 3-1/2 projection **PINE**



INSIDE CORNER

1887 - SMALL

4-3/4 height x 1-3/4 projection **PINE**



OUTSIDE CORNER

1887 - SMALL

4-3/4 height x 1-3/4 projection **PINE**

Part#	Pg#
3	32
9 IS	32
9 OS	32
34	28
40	6
041	26
42	27
043	26
L 45	24
45	25
L 46	25
L 47	24
L 48	23
L 49	23
L 51	22
51	22
52	22
L 54	22
54	22
L 68	22
68	22
74	22
CR75	27
75	22
84	22
85	22
86	22
93	28
L 94	28
100	28
101	28
103	28
105	28
106	28
108	28
110	28
123	28
126	28
129	28
137	28
142	28
144	28
147	28
158	21
L163E	15
163E	15
163	12
166	12
L 167	12
170	28
180	10
182	21
L 184	21
185	21
190	21
195	6
L 197	10
202	28
204	28
205	28

Part#	Pg#
206	28
207	19
E 208	10
L 210	10
L 230	29
231	29
L 232	29
L 233	29
238	29
239	29
240	29
L 246	29
246	29
L 248	29
248	29
L 250E	29
L 252	29
L 254	28
254	29
260	28
L 263	29
L 265	29
L 266	29
L 267	29
L 268	29
280	10
281	10
H 282	10
284	8
292	21
L 294	21
L 300	20
L 301	20
B 312	16
312	5
316	4
321	4
L 324	4
324	4
326	23
327	4
334	32
L 338	7
340	22
351	5
L 356	4
356C	4
356	4
P358	32
358	10
L 361	7
361	5
L 361C	7
L 366	4, 6
B366	13
366	4
366A	4
374	7
376	4
P 380	5

Part#	Pg#
390	20
391	20
410	14
411	5
412	7
E 412	7
414	14
L 414	14
432	7
L 433	13
L 434	6
435	14
438	32
L 444	6
444A	7
444	7
445	6
445A	6
446	7
P 450	8
L 471	5
L 473	9
473	4
474	5
493	9
L 512	17
512	17
L 514	15
E519	23
525	24
535	7
545	15
L 618	16
618	16
L 620	14
620	14
623	13
L 627	12
L 633	13
H 633	13
633	13
L 634	12
H 634	12
634	12
L 635	12
642	32
658	16
663	13
664	12
674	16
675	14
682	6
683	6
685	5
695	17
713	13
714	12
E 714	19
L 717	12
L 723	14

Part#	Pg#
723	14
L 724	12
734	32
740	32
742	32
743	32
763	15
765	18
P 805	14
L P808	15
P 808	15, 32
L P813	17
P 813	17, 32
L P815	18
825	25
826	26
827	27
845	9
846	9
856	9
857	9
871	32
L 876	9
876	9
L 887	9
887	32
892	32
895	32
915	32
916	9
917	32
935	9
936	9
N 946	9
947	9
956W	20
962	9
972	9
L 973	9
982	9
L 983	9
995	28
7 1021	10
1021	10
E 1035	10, 28
1153	10
1155	10
1200	32
1305	9
1400	32
1401	32
1402	32
1403	32
1404	32
1887	33
1888	33
1889	33
1892	32
1895	32
1897	33

Part#	Pg#
1898	33
1899	33
2018	31
2021	31
2024	30
2100	30
2150	30
2258	30
2302	25
2330	30
2352	31
2355	30
2435	30
2448	30
2449	30
2450	31
2497	30
2536	30
2590	30
2598	30
2599	30
2689	30
2709	31
4520	5
4532	5
5000	8
7055	16
7117	30
7118	30
7158	31
7163	19
7181	30
N 7241	30
7252	30
7526	30
7527	31
7716	31
7718	31
7719	31
E7970	31
S7970	31
E7971	31
S7971	31
E7972	31
S7972	31
E7973	31
S7973	31
E7994	30
S7994	30
8263	18
8740	12, 17
8741	17
8900	4
8901	5
8920	32
8951	32
9623	19

Part#	Pg#
E9702	30
S9702	30
E9703	30
S9703	30
E9706	30
S9706	30
1X4 EC	21
1X6 EC	21
L APBA	19
L APCA	8
L APCH	20
L APCR	26
BC14	15
BFOLD	9
L CC14	6
CURT	24
L FEBA	18
L FECA	8
L FECH	20
L FECR	25
L FLTD	5
L LIBA	15
L LICA	5
L LICH	20
L LICR	23
L PRBA	18
L PRCA	8
L PRCH	20
L PRCR	23
C PT11	8
B PT11	15
PT3	6
RB3	8
S RB3	8
REV	6
L SBW4	21
N/L STOOL	10
WC14	21
WC16	21
WCAP	21
L WP4	21

Quality Products



Mouldings

- Softwood Mouldings
- Hardwood Mouldings
- Decorative Wood Mouldings
- Blocks
- Mantels
- Flexible Mouldings
- Green Mouldings & Boards (FSC Chain of Custody Certified)



Stair Parts

- Wood Balusters & Newels
- Iron Balusters & Newels
- Post to Post Components
- Over the Post Components
- Stock, Special Order, Custom

*Creative
Stair
Parts®*



Boards

- Ultralite MDF • Finger Joint Primed • Finger Joint Pine
- Oak Veneer • Oak • Clear Radiata Pine • Poplar • Maple
- Finger Joint Poplar • PVC

S4S Boards:

- 1 x 2 • 1 x 3 • 1 x 4 • 1 x 6 • 1 x 8 • 1 x 10 • 1 x 12
- 5/4 x 4 • 5/4 x 6 • 5/4 x 8 • 5/4 x 10 • 5/4 x 12

E2E Boards:

- 1 x 2 • 1 x 3 • 1 x 4 • 1 x 6 • 1 x 8



Columns

- Architectural Wood
- Wood Colonial
- Poly-Classic
- Poly-Classic Durastone
- Poly-Classic DuraGlass Square
- Poly-Classic Craftsman
- Poly-Classic Railing Systems
- Poly-Classic Porch Posts
- Wood Porch Posts



PVC Millwork

- Mouldings
- Door Frames
- Boards
- Siding Accessories
- Trim Boards
- Garage Solutions
- Ceiling & Wall Solutions
- Pole & Post Surrounds

ROYAL
Building Products

Contacts



SCHILLER PARK (847) 233-6300

BRIDGEVIEW (708) 430-8800

Call or visit us in the office!

3705 25th Ave
Schiller Park, IL 60176
(847) 233-6300

7248 W 90th St,
Bridgeview, IL 60455
(708) 430-8800